

Guidelines for HPX-1 Intake Filter Replacement

The purpose of the top filter on the HPX-1 is to filter the room air which flows through a set of fans to provide positive pressure within the HPX-1 enclosure, thus preventing potentially dirty room air from entering and causing artifacts. The filter consists of a foam piece and a filter box.

The recommended replacement interval for this filter is approximately one year, but will depend on the cleanliness of the particular operating environment. During normal use the filter will appear to become dirty. This is normal, and is not really a good indicator that it is time for replacement. As long as air is passing through the filter and there is positive pressure within the cabinet, the system is operating properly.

The photo below shows an extreme case of how dirty a filter can become, while still allowing air to pass through:



But look how clean the hardware was on the other side of the filter!



This shows that as long as air continues to flow through the filter, it's doing its job. There are a couple of simple ways to verify airflow through the filter:

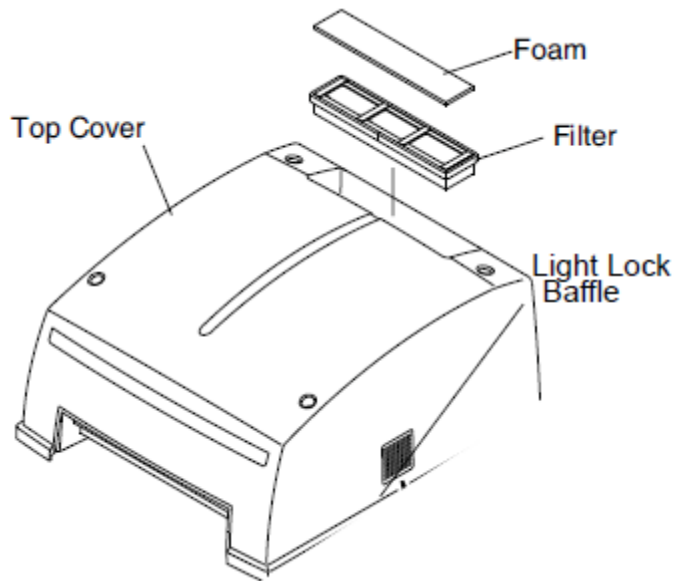
1. Place your hand over the top of the filter. You should feel some airflow with your hand.



2. Perhaps a more reliable way is to use a thin (.125" or 3 to 4mm) strip of tissue. With the flex feed tray removed, dangle the tissue strip in front of the feed opening, and with your other hand, reach in and open the air baffle. The strip of tissue should "fly":



If neither of these tests confirm airflow, then it's probably a good time to change the foam (P/N 2G3232) and filter (P/N 2G3224). The replacement procedure is very simple... just pull out the dirty ones and insert the new ones:



To change the top filter:

1. Remove the filter and foam cover from the back of the top cover.
2. Replace with the new filter and foam.

Refer to the HPX-1 User's Guide (P/N 8H6662) for other preventive maintenance tips.